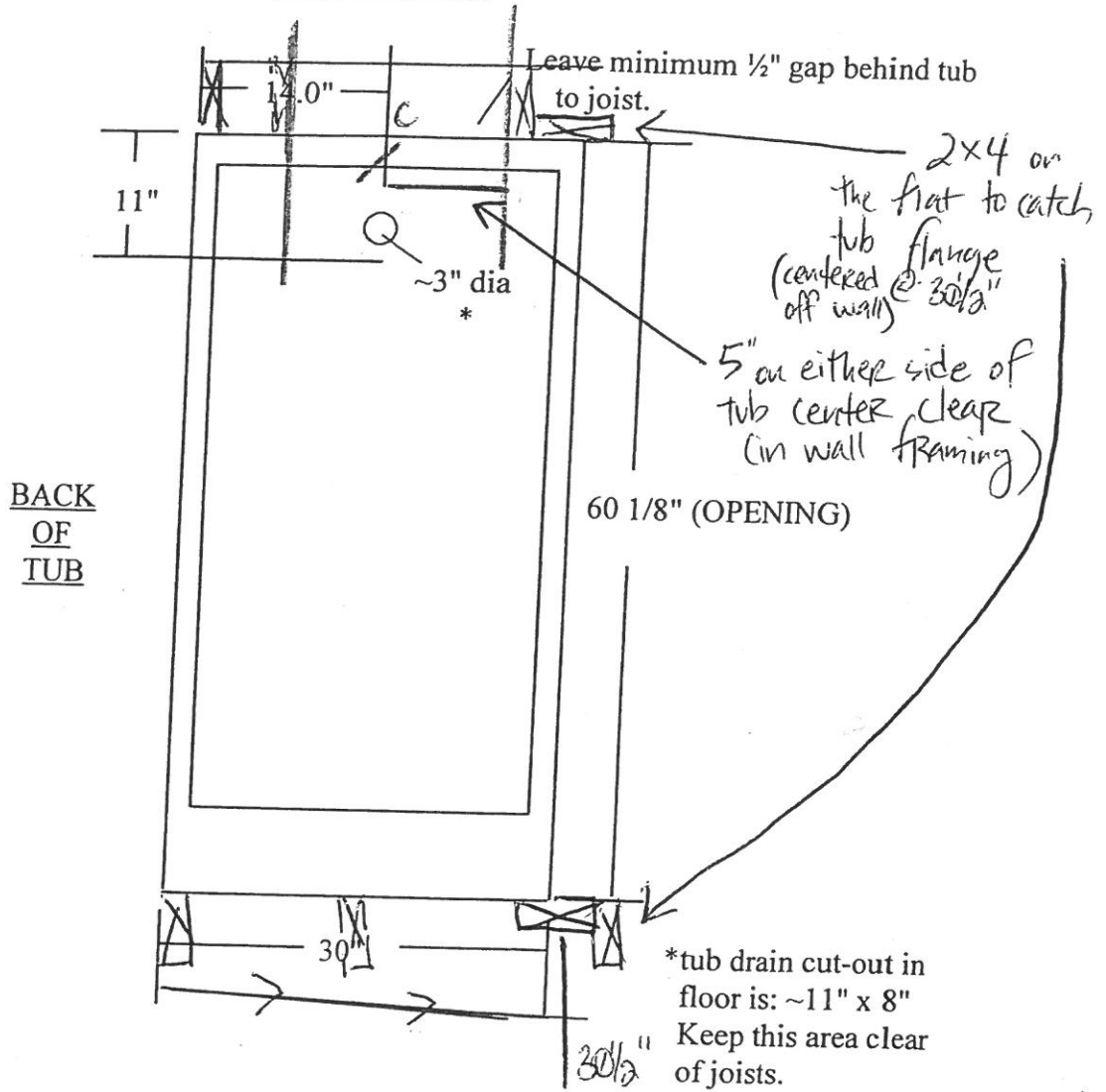
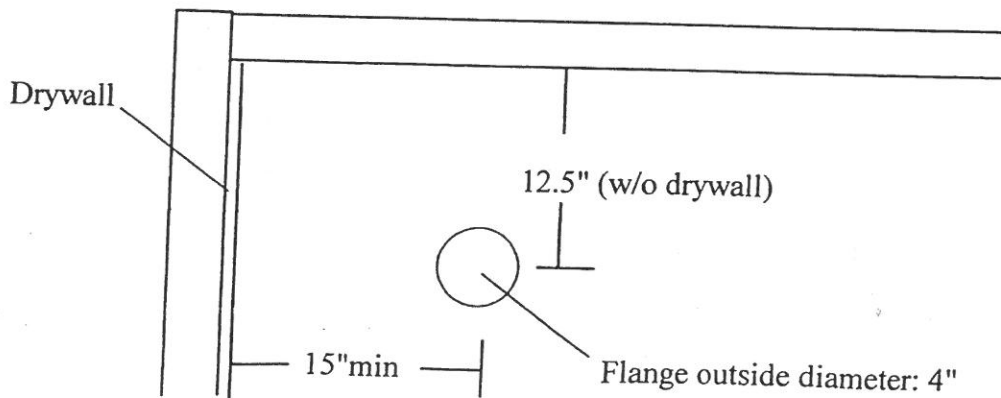


TUB LAYOUT



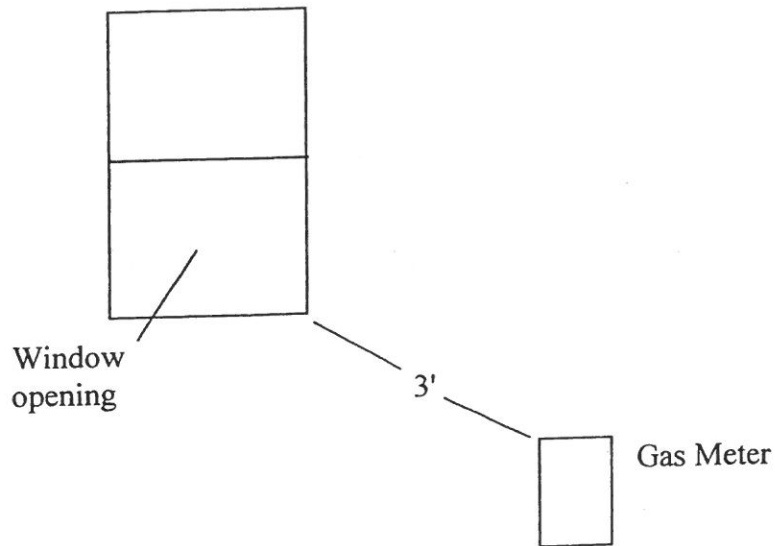
TOILET LAYOUT



## PLUMBING NOTES:

### 1: Gas Meter Location:

Normally it was necessary to have a 3' separation from any operable window. Lately some jurisdictions are allowing the meters to be set inside this distance. This needs to be verified in each case if necessary. When measuring the distance to the meter, the distance is measured on a radius from the meter.



### 2: Plumbing Wall Layouts: (Def: the wall behind the lavatories, toilets, showers etc. Usually defined on the job plans.)

When laying out the joists, it is important to keep the area above and below the plumbing wall free of any joists. This applies when the plumbing wall is running parallel w/ the joists. Always take the Tub Layout and Toilet Layouts into consideration during initial layout.

### 3: Supervisor Notes: (If necessary)

---

---

---

---

---

---

---

---

---

---